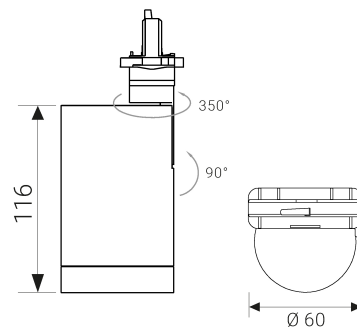
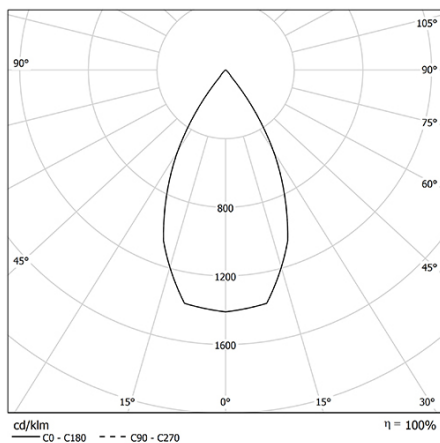






TERES MINI

Modern spotlight built-in driver. CRI>90



CODE		FLUX	SIZE	CERTIFICATIONS
14VT9K350	9W 50° 3000K	923lm	60mm	  

Optic

Internal aluminum reflectors.

Specifications

LED CoB Technology;
Built-in driver;
CRI>90;
McAdams 3;
Life Time: L80/B10 >50.000h;
5 years complete warranty;
Eye safety: RG0/RG1 in accordance with EN62471:2009

Body

Manufactured from pressure die-cast aluminum with epoxy powder coating.

Legal references

In compliance with the safety standards EN 60 598-1 and UNI EN 12464-1 (lighting for working places).

Wiring

RE: Built-in wiring 230-240V/50-60Hz with power factor >0.97.